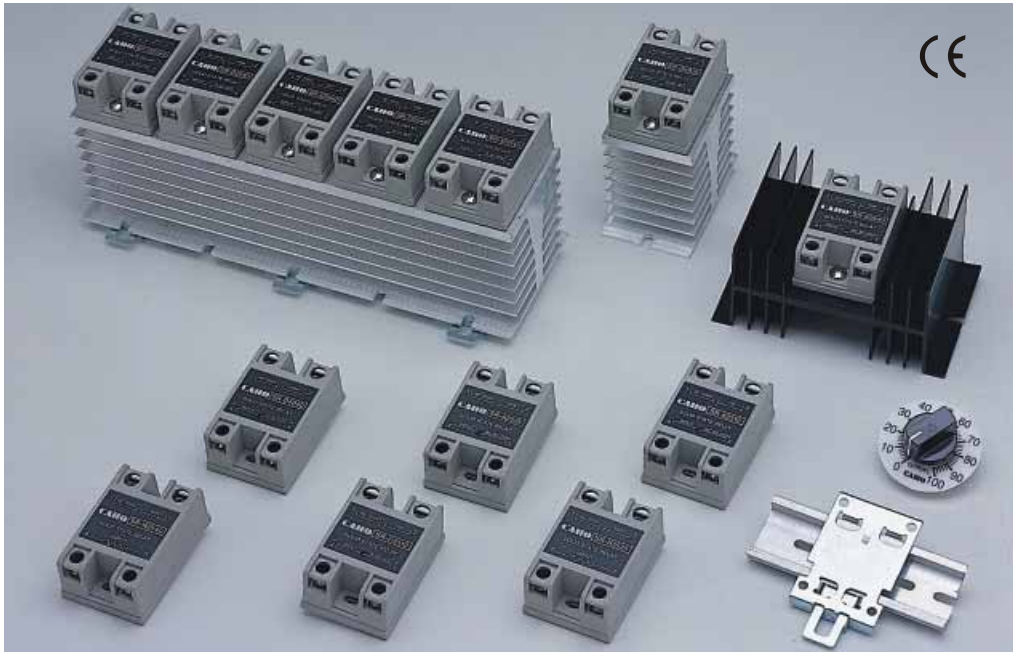


Solid State Relay

固態繼電器



Features:

1. Load current ranges from 10 to 40 Amps.
2. Internally mounted snubber circuit protection for huge current(dv/dt) application
3. Zero Crossing turn-on, Zero current turn-off.
4. With LED display to detect the operating of devices.
5. Photo-isolation, 4000V Rms isolation.
6. R SERIES have output power 0~90%
7. Ambient Temperature:-10~55°C
8. Weight:70g

特性:

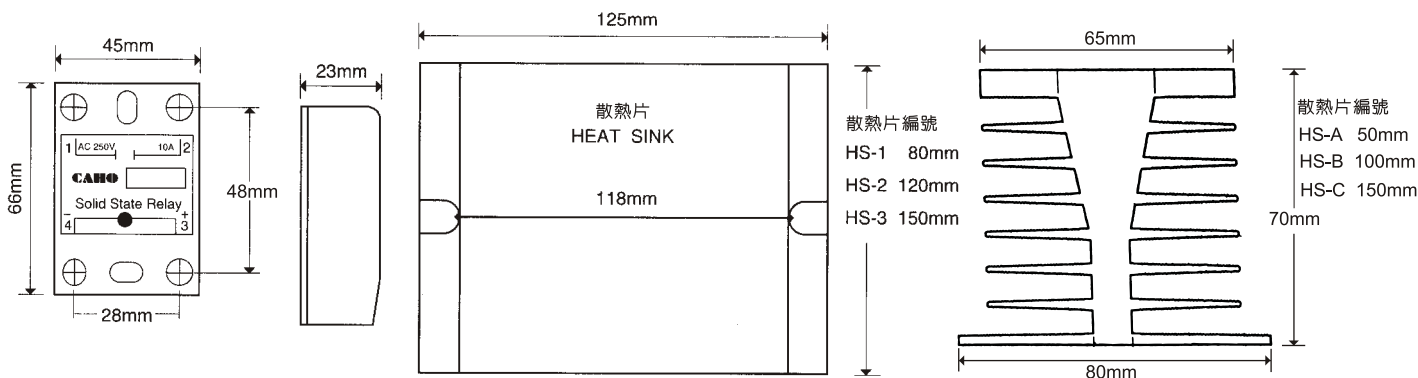
1. 負載額定電流10A~40A。
2. 內部提供RC電路防止突波產生。
3. 零電位導通。
4. 使用LED顯示觸發狀態。
5. 採光耦合隔離4000V Rms。
6. R系列輸出範圍可調0~90%。
7. 適用環境溫度：-10~55°C。
8. 重量：70公克。

SPECIFICATIONS 規格說明

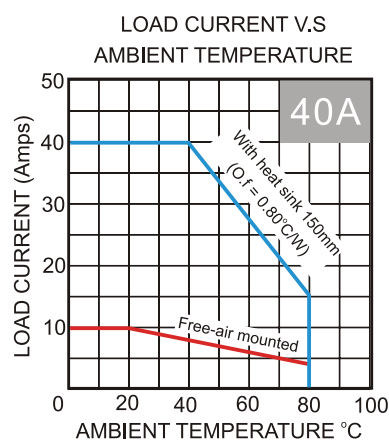
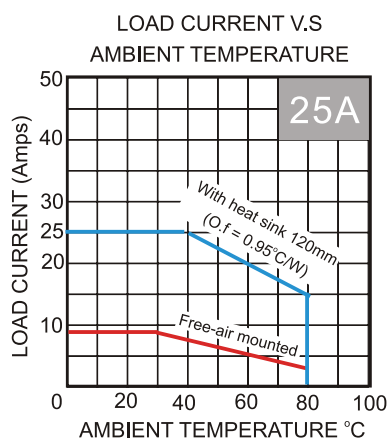
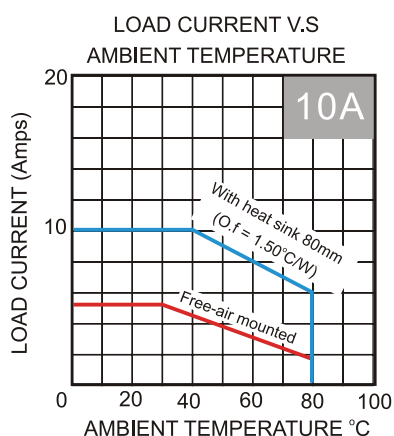
(Ta=25°C)

Model No.	SR-D25 □□ SR-D48 □□			SR-A25 □□ SR-A48 □□			SR-R25 □□					
Data												
TYPE	(DC-AC)			(AC-AC)			(VR-AC)					
Input Signal Voltage	3-32V DC			90~250V AC 90~480V AC			VR B200KΩ					
Output Load Voltage Range	90~250V AC 90~480V AC			90~250V AC 90~480V AC			250V AC					
Load Current	10A	25A	40A	10A	25A	40A	10A	25A	40A			
Max. 1-Cycle Surge Current	125A	260A	315A	125A	260A	315A	125A	260A	315A			
Max. On-State Voltage Drop	1.6V AC											
Response Time	1/2 cycle + 1 msec.			3/2 cycle + 1 msec.								
Dielectric Strength	10 ⁸ ohms			10 ⁸ ohms								
Isolation between Input/Output	2500V(RMS)			2500V(RMS)								
Isolation Input/Output to Case	2500V(RMS)			2500V(RMS)								
Capacitance	15 pf(Max.)			15 pf(Max.)								
Operating Temperature	-20°C~80°C			-20°C~80°C								
Storage Temperature	-40°C~80°C			-40°C~80°C								
Weight(approx.)	70g			70g						70g		

DIMENSION 尺寸圖



CHARACTERISTIC CURVES



ORDERING CODE 訂貨編號

Model No. 型號

SR- [Color-coded boxes]

Series 系列	DC-AC	D				
	AC-AC	A				
	VR-AC	R				
Line Voltage 負載電壓	250V AC	25				
	480V AC	48				
Load Current 負載電流	10A		10			
	25A		25			
	40A		40			
Heat Sink 散熱片	None fitted					N
	Fitted with Heat Sink 125x60x80mm					1
	Fitted with Heat Sink 125x60x120mm					2
	Fitted with Heat Sink 125x60x150mm					3
	Fitted with Heat Sink 80x70x50mm					A
	Fitted with Heat Sink 80x70x100mm					B
	Fitted with Heat Sink 80x70x150mm					C
	Fitted with Heat Sink 80x70x250mm					D
	Fitted with Heat Sink 80x70x500mm					E
Fitted with Heat Sink 80x70x200mm					G	
DIN rail adapter option 鋁軌固定座選配	Just for HS-A,B or C ,D,E,G Heat Sink 只適合HS-A,B,C,D,E,G六種散熱片					S



※負載測試：負載未接或電流太小(1A以下)無法正常導通，測試時請接1A以上之負載。